

RAS

Machine Tool Technologies, Inc.

features

JARRER WORK LIGHTS



JW-70RTL



JW-70RL

JARRER WORK LIGHTS



JW-70RTM



JW-70RM

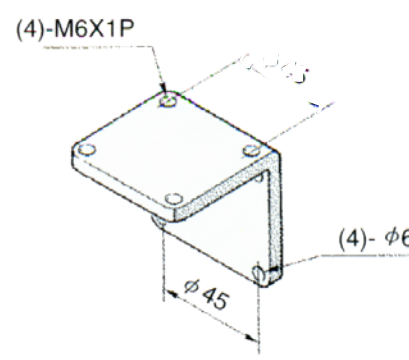


JW-70RTS

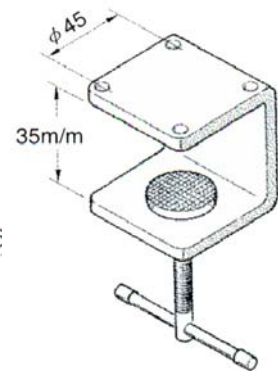


JW-70RS

J-L01 Mounting Angle Plate

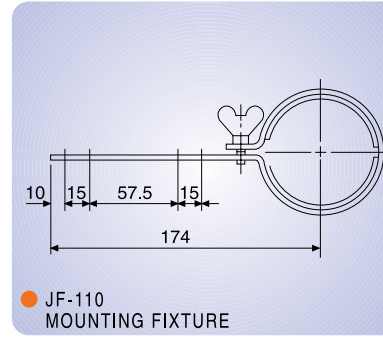


J-C01 Mounting Clamp

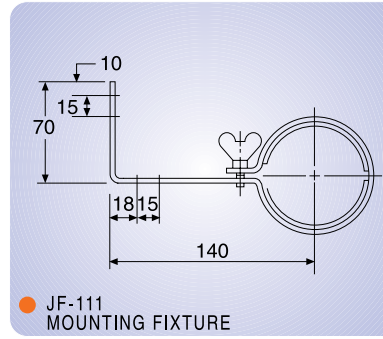


MOUNTING FIXTURES

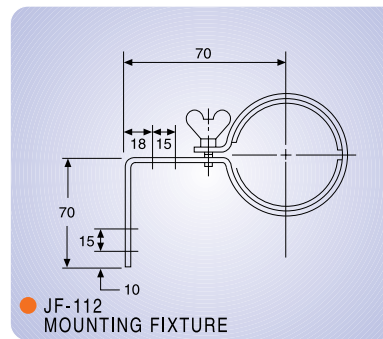
MOUNTING FIXTURES: JF-110, JF-111, JF-112



JF-110 MOUNTING FIXTURE



JF-111 MOUNTING FIXTURE



JF-112 MOUNTING FIXTURE



JF-WN082DB



JF-WN212DB



JF-WN142DB



JF-WN40DB

30 Business Technology Drive
P.O. Box 652
Belchertown, MA 01007

Phone: (413) 323-9041

Fax : (413) 323-9595

www.rasmachinetool.com

sales@rasmachinetool.com

Manufacturers

RAS Machine Tool Technologies is a major supplier of Japanese, Taiwanese and Korean Machine Tool replacement parts. Specializing in the following products:

- * Relays
- * Switches and Sensors
- * Lights, Indicators and Warning
- * Pumps, Coolant
- * Bearings, Seals and O-Rings
- * Pushbuttons
- * Hydraulic and Pneumatic Equipment
- * Lubricators
- * Replacement Parts/Repair Parts

Shop at our on-line store!

www.rasmachinetool.com

JF - WN06L60:

- Consists of 6 LED bulbs (1W).
- Equipped with a transformer for directly connecting to voltage of AC power (100V - 277V).
- Suitable for machine lighting.
- The outer tube is manufactured from glass.
- Higher Lumen per unit cost than that of conventional LED.
- Furnished with 1.8 meters (70") cord.



JF-WN06L60
LED Tube Light



JWL-70RTL

JWL-70RTM

JWL-70RTS

JWL - 70RT Series

- Consists of 6 LED bulbs (9W).
- Built-In Electronic Transformer.
- "No Heat" High intensity spot light.
- Furnished with 1.8 meters (70") cord.
- 120V - 277V AC
- Light Output: 540 total lumens.
- Approvals: CE, IP65

**Standard & LED Lights
between \$100 & \$200**



JWL-70RM

JWL-70RL

JWL-70RS

JWL - 70R Series

- Consists of 6 LED bulbs (9W).
- Light Output: 540 total lumens.
- Furnished with 1.8 meters (70") cord.
- AC/DC 24 Volt
- "No Heat" High intensity spot light.
- Approvals: CE, IP65